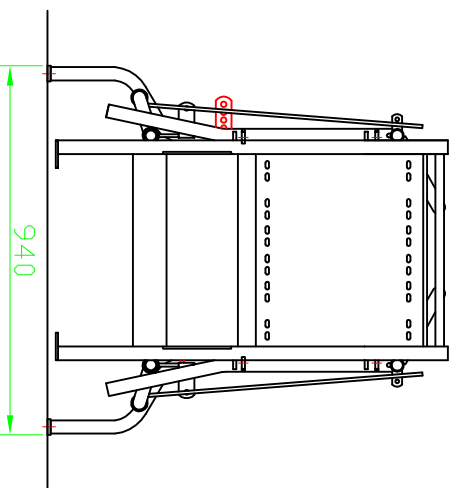
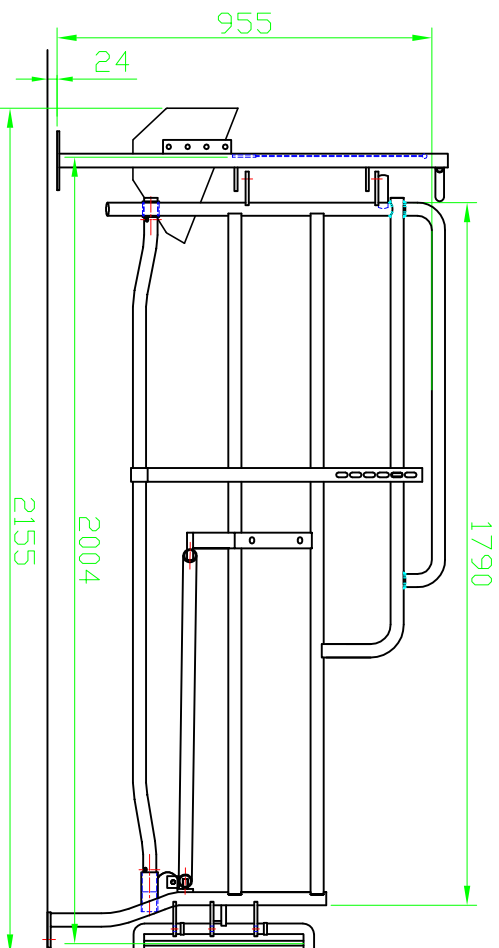


**TOP VIEW**  
SCALE 1:20

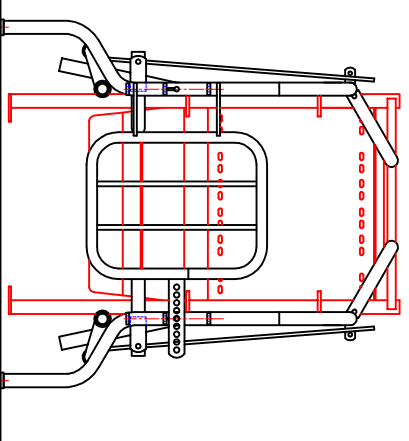
- Drawings for assembly  
 Farrowing crate PC 400
- page 1 = Farrowing crate 2D views
  - page 2 = Assembly farrowing crate
  - page 3 = Fixing front on floor
  - page 4 = Fixing fence to front
  - page 5 = Fixing trough
  - page 6 = Fixing back side of fence
  - page 7 = Fixing door
  - page 8 = Fixing adjustable tube
  - page 9 = Fixing anti-crush bar
  - page 10 = Fixing water-supply



**FRONT**  
SCALE 1:20



**SIDE VIEW**  
SCALE 1:20





**BACK**  
SCALE 1:20

Changes: Yes

This drawing and any drawings and layouts are property of Porcon Group. Any reproduction of this or any document is strictly prohibited without written authorization of Porcon Group. Any document are strictly for internal use of Porcon Group and are not meant for building purposes. Porcon Group doesn't take any responsibility in the events its documents are used for reference purpose by outside builders or contractors.

Date: \_\_\_\_\_ Who/Change: \_\_\_\_\_

A		

A4   **PORCON** PIG FARM SYSTEMS

Name: Farrowing crate 2D views	
Part of: Farrowing PC400	
Drawn: M.Smits	Approved:
Date: 14-12-2006	Mass:
Scale: 1:20	Draw.no: 7530
Draw.units: mm	
Page: 1/10	Art.no: